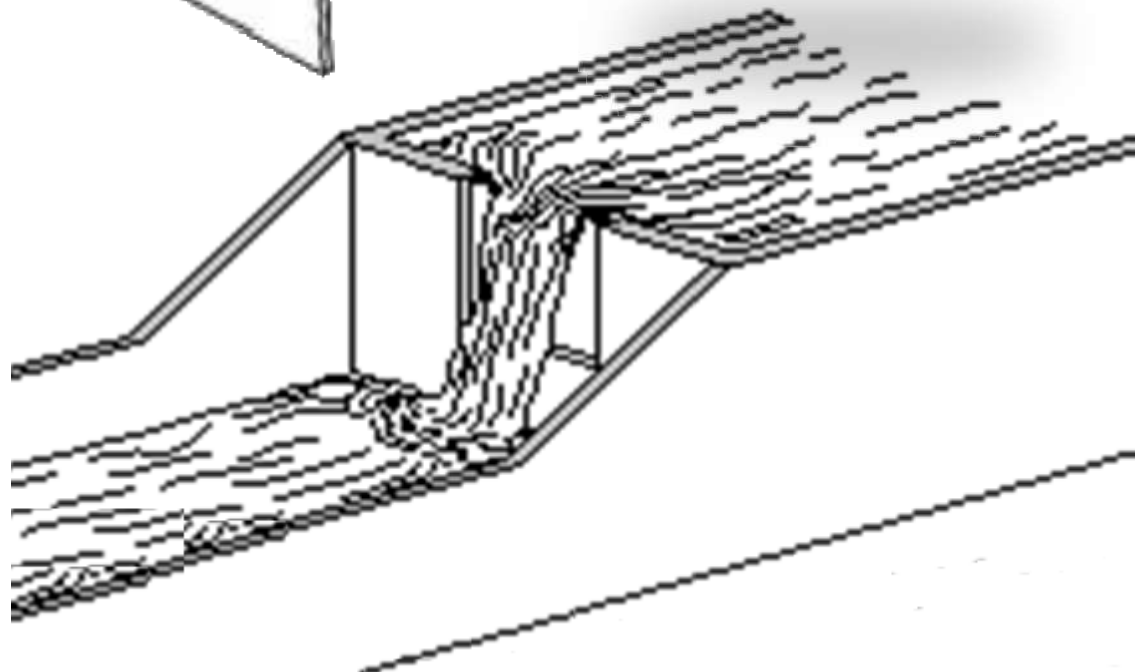
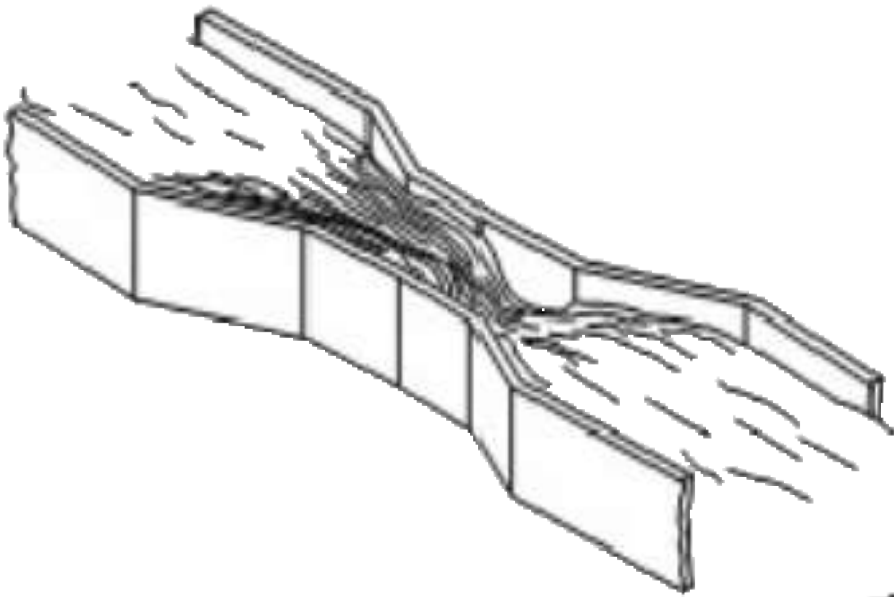


OPEN CHANNEL FLOW METER



Level & Flow Monitor *Ultrasonic Open Channel Flow Meter*

Importance of Flow Dependable Measurement

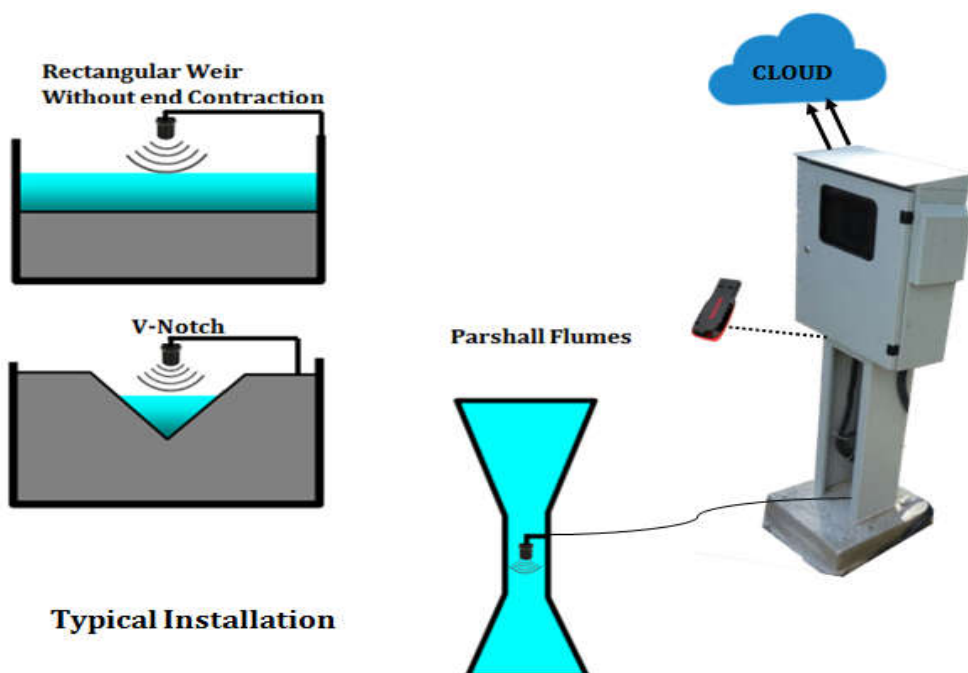
Unreliable flow data can result in inefficient plant operation and unnecessary investment in plant upgrades.

This is particularly true in the case of measurement of industrial and sewage effluents, yet it is frequently given the least priority and attention.

The system is for data obtained from a dependable source, enable plants to be operated in an efficient manner.

By optimizing treatment processes, operators can ensure that maximum treatment capacities are achieved, before additional investment is made.

Where it is necessary to replace or upgrade plant equipment, operating capacities can be specified with confidence.



Specification

Controller with logger Function

- Programmable to Flow measurement in V-Notch/Parshall Flume/Weir/Venturi and etc.
- Continuous Flow measurement.
- Measuring accuracy is +/- 1% of full scale
- Display : 3.5inch color
- Size : 96 x 96 x 85 (mm)
- Rate: 0-19999 (adjustable)
- Total : 0-1999999999 (Totalizer)
- Resolution 15 bit DAC (Isolating)
- Response time <250ms (0-90%)
- Temperature Coefficient 100ppm/°C (0-50 °C)
- Operating condition is 0-50 °C (20-90% RH non-condensed)
- Math function
- Communication: RS485 modbus (optional)
- Download via USB Pen Drive
- Display flow , total flow and head height
- Programmable engineering units for liters, gallons or cubic meters per second, hour or per day
- Power: 100~240 VAC .50/60 Hz
- Ultrasonic 3-wire sensor
- Temperature Compensation -20°C to 125 °C
- Operating temperature -20 °C to 125 °C
- Panel enclosure : IP65
- Programmable range



BONT[®] Open Channel Flow Meter

Solar Power (Optional)

Solar Power is design for remote area installation.

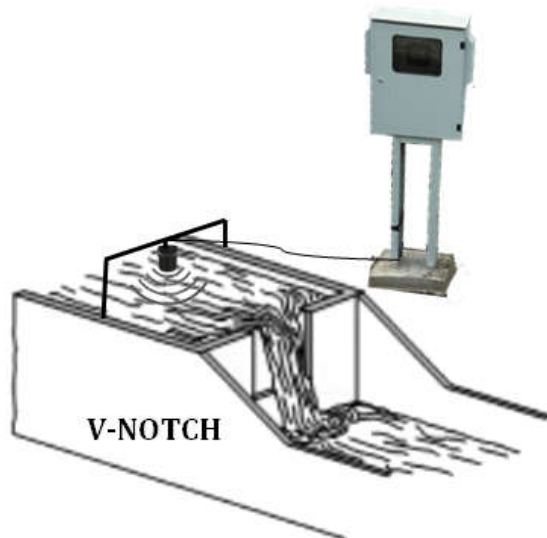
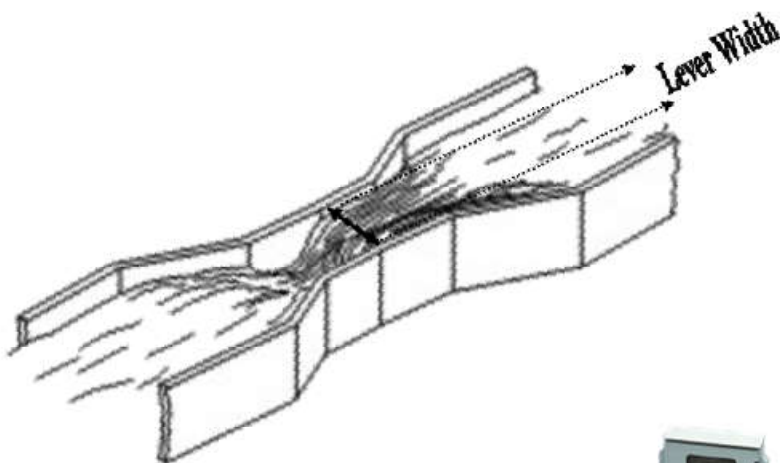
The Solar modules are made with high efficiency solar cells. Every single cell is electrically matched to minimize losses, for making modules suitable for solar modules have been tested for their suitability offering high performance and reliability.

The Solar photovoltaic module is manufactured with mono-crystalline solar cell forming to strict requirements of international quality standards.

The laminates are framed with a strong, robust and corrosion-resistant aluminium frame with multiple mounting holes for ease of installation. A waterproof junction box, IP65, contains the by-pass diodes and the connecting terminals.

Weber solar modules are certify to international standards IEC61215 and UL 1703 listing and the company is ISO 9000 certified.

Installation Layout

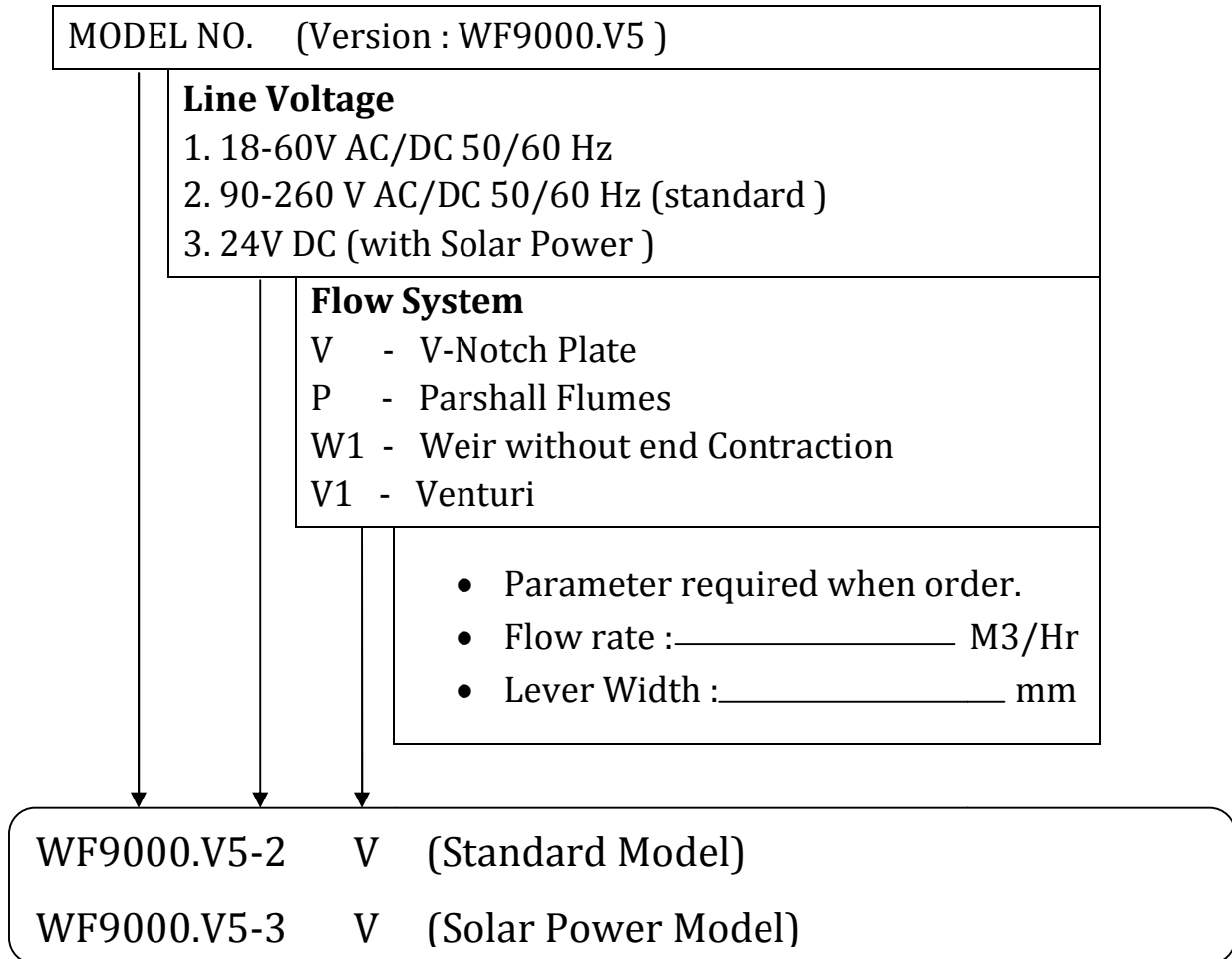


With Solar Power on site picture.



Outdoor Panel Enclosure

Ordering Information



Remarks:

If order in WF9000 packages it come with Programmable controller, Ultrasonic sensor, Panel & Sensor bracket.