



Pressure Transmitter

PTL



BONT[®]

Bont Technologies GmbH

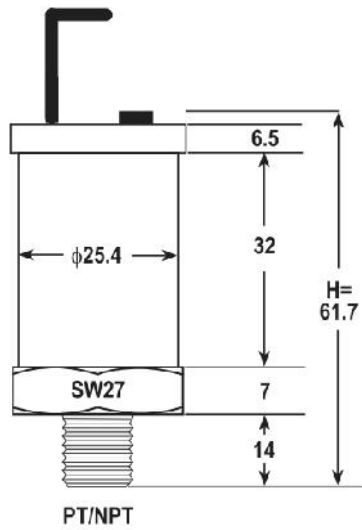
Feature & Function

Pressure Transmitter (PTL) accuracy to $\pm 0.55\%$, F.S . The field-temperature compensation function ($-25 + 85^{\circ}\text{C}$) ,thick film strain gage on ceramic stainless steel (SUS316) . The pressure range from -1 to 250 bar, response time <5milli seconds . It will gives output DC4~20mA RL (max.) $\leq[(V_s-9v)/0.02A]$. The protection class is NEMA4/IP68 .

Specification

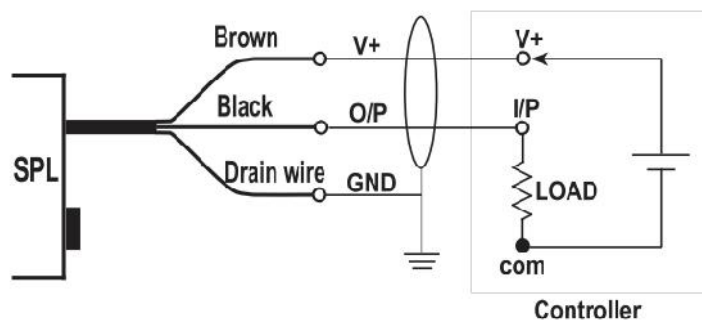
Two-wire supply voltage input	DC10 to 30V
Measuring accuracy	$\leq \pm 0.5\%$ F.S.($25 \pm 10^{\circ}\text{C}$)
Repeatability accuracy	$\leq \pm 0.1\%$ F.S
Maximum permissible over pressure	Maximum 2 x rated (<160Bar) Maximum 1.5 rated (>160Bar)
Burst pressure	3 x rated (<100 Bar) 2.25 x rated (>100Bar)
Response time	<5ms (10~90%)
Output drive capability	$\leq [(V_s-9V)/0.02A]$
Output ripple(p-p)	<0.1% F.S.
Zero(offset)range	$0 \sim \pm 5\%$ F.S.
Span (scale) range	$0 \sim \pm 5\%$ F.S.
Diaphragm materials	Ceramic A1203-96%
Pressure port materials	Stainless steel 1.4401 (SUS316)
Housing materials	Stainless steel 1.4301 (SUS304)
Seale (media wetted) materials	NBR <10 Bar
	PVDF >10 Bar
Thermal span shift	$\pm 0.04\%$ F.S./ $^{\circ}\text{C}$
Thermal zero shift	$\pm 0.04\%$ F.S./ $^{\circ}\text{C}$
Zero point long term stability 23\pm5$^{\circ}\text{C}$)	$\pm 0.2\%$ F.S./year (<160 Bar) $\pm 0.3\%$ F.S./year (>160 Bar)
RFI protection	2W -150MHz at 2 meter causes less than 0.5% change in output
Operating temperature range	-25 to 85 $^{\circ}\text{C}$
Storage & medium temperature range	-40 to 85 $^{\circ}\text{C}$
CE EMC Certification	EN 55022 : 1998/A1:2000 Class A EN61000-3-2:2000 EN61000-3-3: 1995/A1:2001 EN55024 :1998/A1 : 2001

Dimension (unit : mm)

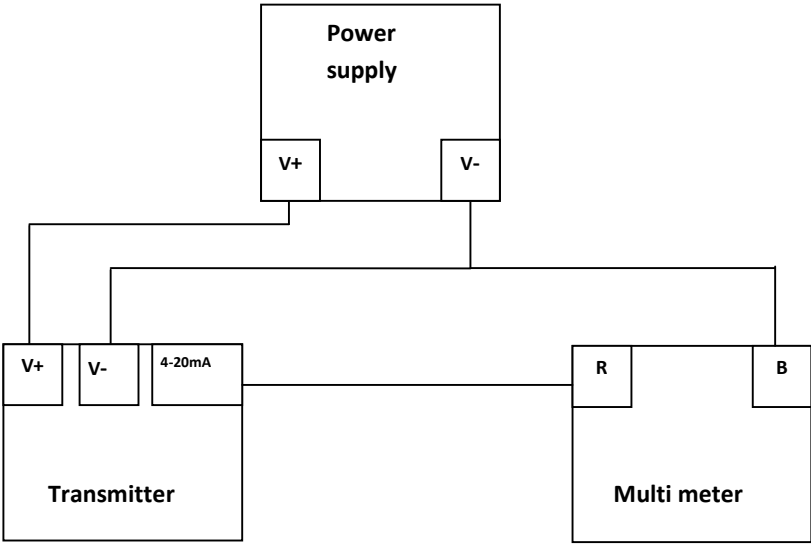


Terminal Connection

•3 cond.+shield #28 AWG,PVC(105°C)



3-Wires System Diagram



Ordering Code

PTL

Pressure Transmitter

Pressure Type

G

Gauge

A

Absolute

Pressure Range

1001

0~1.0 bar

1002

0~10 bar

1003

0~100 bar

1601

0~1.6 bar

1602

0~16 bar

1603

0~160 bar

2501

0~2.5 bar

2502

0~25 bar

2503

0~250 bar

4001

0~4.0 bar

4002

0~40 bar

X102

-1~0 bar

6001

0~6.0 bar

6002

0~60 bar

xxxx

Customer

Output Cable Length

A

1.8M(standard)

B

Customer

~3 cond.+shield #28AWG,PVC

Pressure Connection

1

1/4" PT

2

1/4" NPT

3

1/2" NPT

9

Customer

Distributor:

Bont Technologies GmbH

Salzstr: 1

21335 Lüneburg

www.bont-tech.com info@bont-tech.com